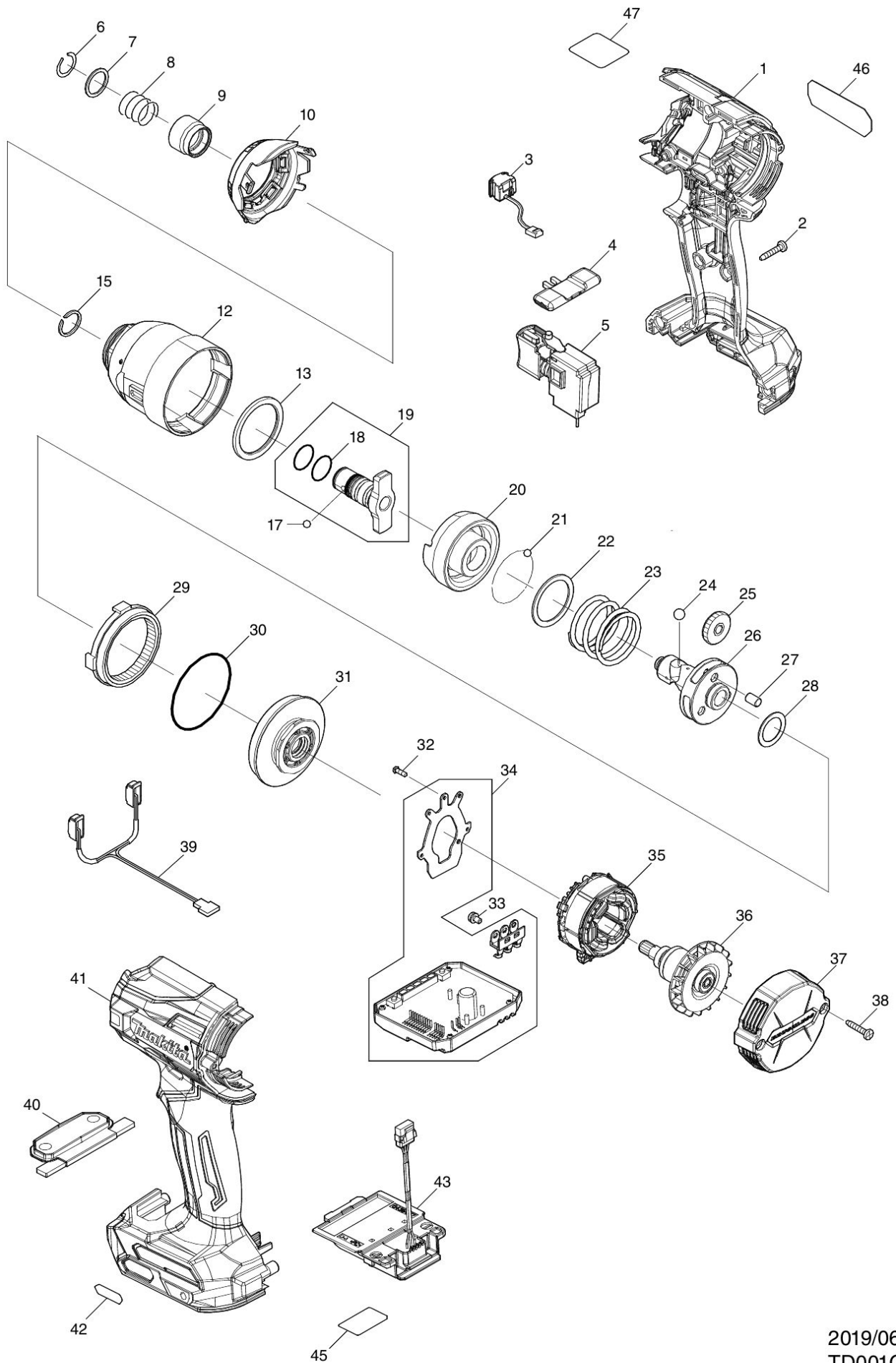


Partdrawing for TD001GZ - Slagschroevendraaier



2019/06
TD001G

Nr.	Part nr.	Name
001	183P56-5	Motorhuisset TD001G
001C10	263005-3	Rubber Pen 6 AC320H P
001C20	252126-6	Borgmoer M4X7Mm Mt070
001C30	422616-5	Sponsrubber TD001G
002	266429-2	Tapschroef 3X16 P
003	632L84-8	Schakelaar DTD171
004	455053-8	Schakelknop Re Li Dtd137 148
005	651442-7	Schakelaar TD001G
006	231952-6	Borgring 12
007	267101-9	Sluitring 14
008	232592-3	Drukveer 14mm TD001G
009	327531-7	Bithouder TD001G P
010	136171-8	Slaghuiskap TD001G
010C10	422269-0	Stootrubber DTD171
012	140R47-1	Slaghuis TD001G
012C10	210177-5	Kogellager 68/14LLU DTDA serie
012C20	267063-1	Sluitring 18mm DTDA series
012C30	962113-4	Seegering R24 Btp140 A
013	261160-5	Sluitring nylon 30mm DTD171
015	259075-8	Borgring WR14 TD001G
017	216001-0	Kogel 3,5mm P
018	213118-0	O-Ring 12 Hr5210C
019	136205-7	Aambeeld M TD001G
020	327525-2	Slagstuk M TD001G
021	216001-0	Kogel 3,5mm P
022	267342-7	Sluitring 26
023	232591-5	Drukveer 25mm TD001G
024	216013-3	Stalen Kogel 6 LF1000 P
025	226960-0	Tandwiel 24 TD001G P
026	327524-4	As TD001G
027	268311-1	Pen 5 Dtw280
028	267194-6	Sluitring 15mm TD001G
029	226961-8	Tandwiel 56 TD001G
030	213892-0	O-ring 43mm TD001G
031	140R48-9	Tandwielhuis TD001G
032	266490-9	Parker Ck 2X6Mm DDF483 P
033	652069-6	Kruiskop Schroef M3X6
034	620B96-3	Circuit TD001G
035	629464-5	Veld TD001G
036	619605-1	Anker TD001G
037	412339-3	Afdekkap TD001G
038	266429-2	Tapschroef 3X16 P
039	620B97-1	Lichtcircuit TD001G
040	140R54-4	Schakelplaat TD001G
040C10	8011F4-1	Label schakel TD001G
041	183P56-5	Motorhuisset TD001G

Partdrawing for TD001GZ - Slagschroevendraaier



Nr.	Part nr.	Name
041C10	263005-3	Rubber Pen 6 AC320H P
041C20	252126-6	Borgmoer M4X7Mm Mt070
041C30	422616-5	Sponsrubber TD001G
042	8007R2-2	Label XGT logo
043	632P49-4	Aansluitunit TD001G A
045	856V15-5	Label serienr TD001G
046	856V08-2	Naamplaat TD001G